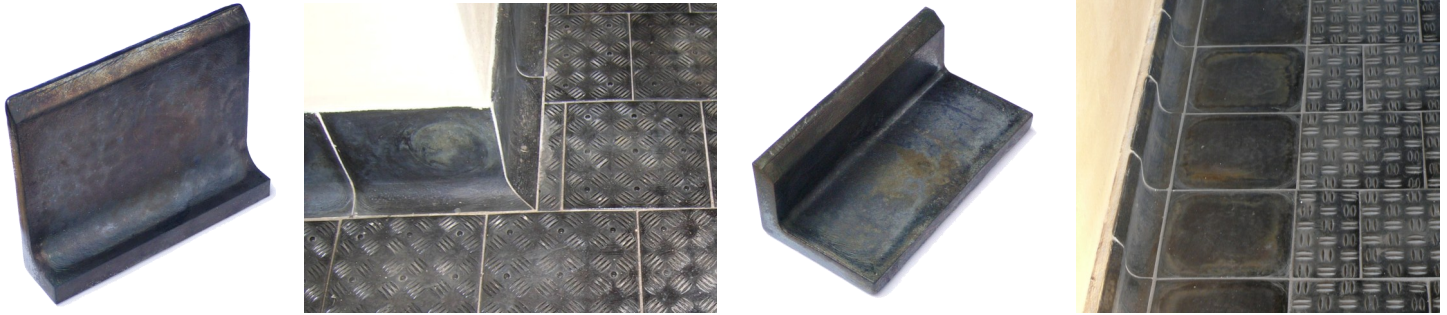
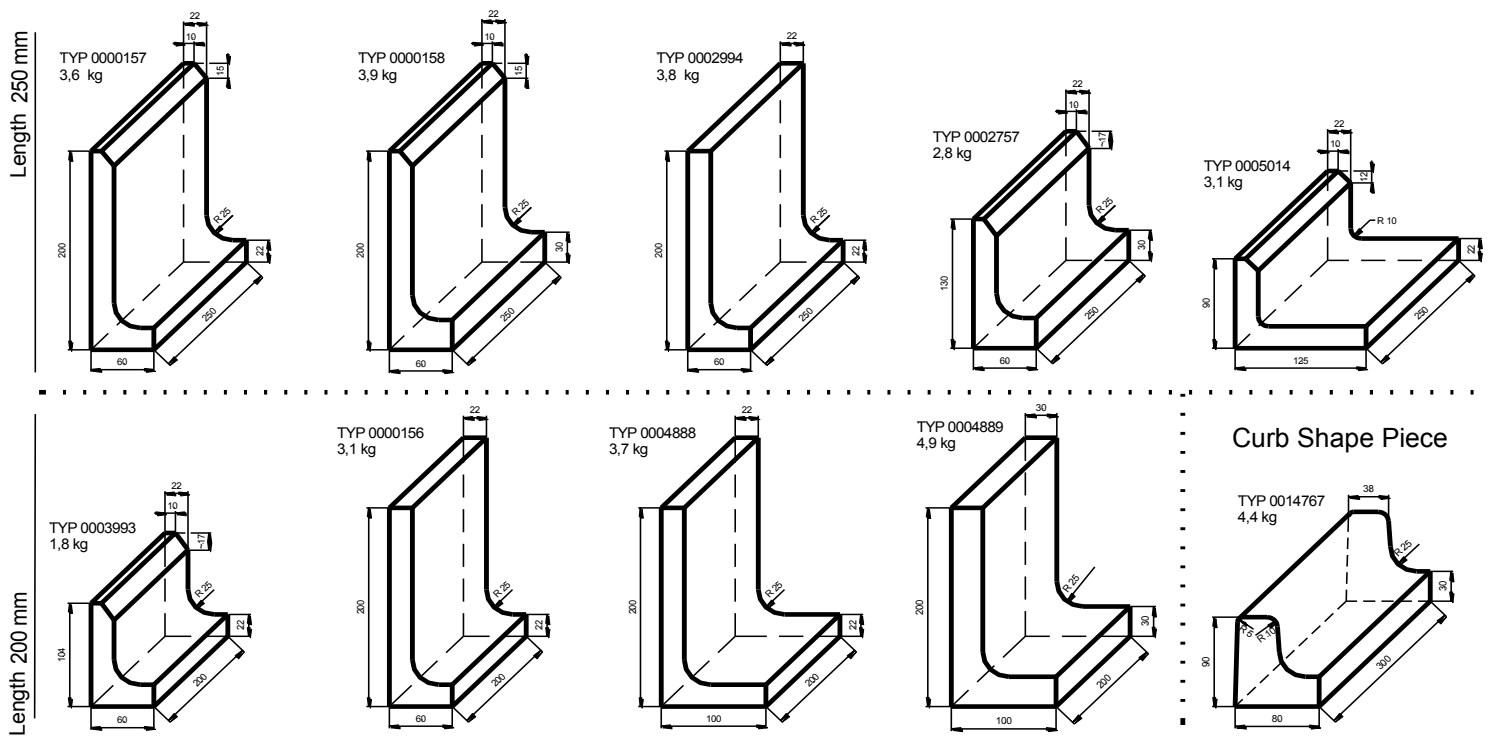


A basalt floor will be even more perfect when the detail of the connection of the wall and the floor is solved. For this purpose we manufacture several different L-pieces or covered tiles. L-pieces are used as a perfect connection of the floor with the wall. It is an interesting element, not only functionally, but also from a design point of view.

This solution can be used in the interior of a family home or restaurant, in production halls or warehouses, in food-processing operations and many other places. It makes cleaning the floor much easier. The radius in the corner of the L-piece contributes to good cleaning of the entire floor and thus to better hygiene.



Manufactured Types of L-pieces



Coved Strips

TYP 0017689	L=200	0,6 kg
TYP 0018584	L=250	0,8 kg
TYP 0010983	L=340	1,1 kg

